



# “Wide Body” Shackles in smaller sizes!

## Features include:

- ✓ All shackles are Magnetic Particle Inspected
- ✓ Increase in shackle bow radius provides minimum 58% gain in sling bearing surface and eliminates the need for a thimble.
- ✓ Forged Alloy Steel  
-Quenched & Tempered
- ✓ All 2160 shackles are individually proof tested. Crosby certification available at time of order. Shackles requiring other certification are available upon special request and must be specified at time of order.
- ✓ Shackles 18t and larger have DNV Type Approval to Rules for Certification of Lifting Appliances, and are produced in accordance with DNV MSA requirements. Databook is provided that includes required documents.
- ✓ Shackles 30t and larger are RFID equipped.

Greatly improves wearability of **HIGH STRENGTH** round slings, wire rope slings and synthetic web slings.

## Introducing the new:

### 7 thru 55 metric ton “Wide Body” Shackles

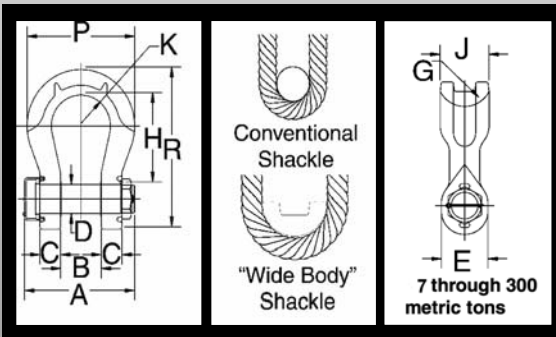


G-2160



S-2160

## The Original “Wide Body” Shackles



Working Load Limit (t)*	G-2160 Stock No.	S-2160 Stock No.	Weight Each (lbs.)	Dimensions (in.)										
				A	B +/- .25	C	D +/- .02	E	G	H	J	K	P	R
7	1021256	1021548	4	4.14	1.25	0.69	0.88	1.82	1.25	3.56	1.60	1.25	4.10	5.87
12.5	1021265	1021557	10	5.38	1.69	0.92	1.13	2.38	1.37	4.63	2.13	1.63	5.51	7.63
18	1021274	1021566	15	6.69	2.03	1.16	1.38	2.69	1.50	5.81	2.50	2.00	6.76	9.38
30	1021283	1021575	25	7.69	2.37	1.38	1.63	3.50	1.75	6.94	3.13	2.50	8.50	11.38
40	1021285	1021584	35	9.28	2.88	1.75	2.00	4.00	2.31	8.06	3.75	3.00	10.62	13.62
55	1021287	1021593	71	10.36	3.25	2.00	2.25	4.63	2.63	9.36	4.50	3.50	12.26	15.63

NEW!  
NEW!  
NEW!

\* Ultimate Load is 5 times the Working Load Limit



**U.S.A.**  
P.O. Box 3128  
Tulsa, OK 74101  
(918) 834-4611  
Fax: (918) 832-0940  
www.thecrosbygroup.com  
crosbygroup@thecrosbygroup.com

**CANADA**  
145 Heart Lake Road  
Brampton, Canada L6W 3K3  
(905) 451-9261  
Fax: (877) 260-5106  
www.crosby.ca  
sales@crosby.ca

**EUROPE**  
Industriepark B, 26  
BE – 2220 HEIST-OP-DEN-BERG  
Belgium  
32-15-75-71-25  
Fax: 32-15-75-37-64  
www.thecrosbygroup.com  
sales@crosbyeu.com