

Crosby is pleased to announce that selected sizes of the “Original” Wide Body shackles are now available in a screw pin design.

### Crosby’s “Wide Body” Shackles provide the following benefits:

- Significantly improves the life of wire rope slings.
- Can be used to connect HIGH STRENGTH Round Slings, Synthetic Round Slings or Wire Rope Slings.
- Increase in shackle bow radius provides minimum 58% gain in sling bearing surface.
- Increases usable sling strength a minimum of 15%.

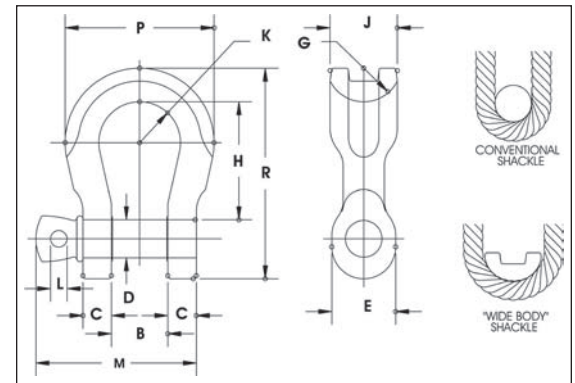
### Product features:

- Capacities of 7, 12.5 and 18 metric tonnes.
- Quenched and Tempered for maximum strength.
- Forged Alloy Steel.
- Available in galvanized and self colored finish.
- Individually proof tested and magnetic particle inspected. Crosby certification available at time of order.
- Meets or exceeds all requirements of ASME B30.26 including identification, ductility, design factor, proof load and temperature requirements. Importantly, these shackles meet other critical performance requirements including fatigue life, impact properties and material traceability, not addressed by ASME B30.26.



S-2169

G-2169



QUIC-CHECK<sup>®</sup>



Load Rated<sup>®</sup>

Working Load Limit (t)*	G-2169 Stock No.	S-2169 Stock No.	Weight Each (lbs.)	Dimensions (in.)											
				B +/- .25	C	D +/- .02	E	G	H	J	K	L	M	P	R
7	1021655	1021664	3.5	1.25	.69	.88	1.82	1.25	3.56	1.60	1.25	.50	3.97	4.10	5.87
12.5	1021673	1021682	8.8	1.69	.92	1.13	2.38	1.37	4.63	2.13	1.63	.56	5.13	5.51	7.63
18	1021691	1021699	13	2.03	1.16	1.38	2.69	1.50	5.81	2.50	2.00	.69	6.25	6.76	9.38

\* Ultimate Load is 5 times the Working Load Limit. Forged Alloy Steel. Proof Load is 2 times the Working Load Limit.

Working Load Limit (t)*	G-2169 Stock No.	S-2169 Stock No.	Weight Each (kg)	Dimensions (mm)											
				B +/- .25	C	D +/- .02	E	G	H	J	K	L	M	P	R
7	1021655	1021664	7.7	31.8	17.5	22.4	46.2	31.8	90.4	40.6	31.8	12.7	101	104	149
12.5	1021673	1021682	19.4	42.9	23.4	28.7	60.5	34.8	118	54.1	41.4	14.2	130	140	194
18	1021691	1021699	28.7	51.6	29.5	35.1	68.3	38.1	148	63.5	50.8	17.5	159	172	238

\* Ultimate Load is 5 times the Working Load Limit. Forged Alloy Steel. Proof Load is 2 times the Working Load Limit.

[www.thecrosbygroup.com](http://www.thecrosbygroup.com)

Distributed by:

Crosby U.S.A.  
P.O. Box 3128  
Tulsa, OK 74101  
U.S.A.  
Sales Office: (918) 834-4611  
Fax: (918) 832-0940  
crosbygroup@thecrosbygroup.com

Crosby Canada  
145 Heart Lake Road  
Brampton, Ontario L6W 3K3  
Canada  
Sales Office: (905) 451-9261  
Fax: (877) 260-5106  
sales@crosby.ca

Crosby Europe  
Industriepark Zone B n° 26  
2220 Heist-op-den-Berg  
Belgium  
Sales Office: (+32) (0)15 75 71 25  
Fax: (+32) (0)15 75 37 64  
sales@crosbyeurope.com